

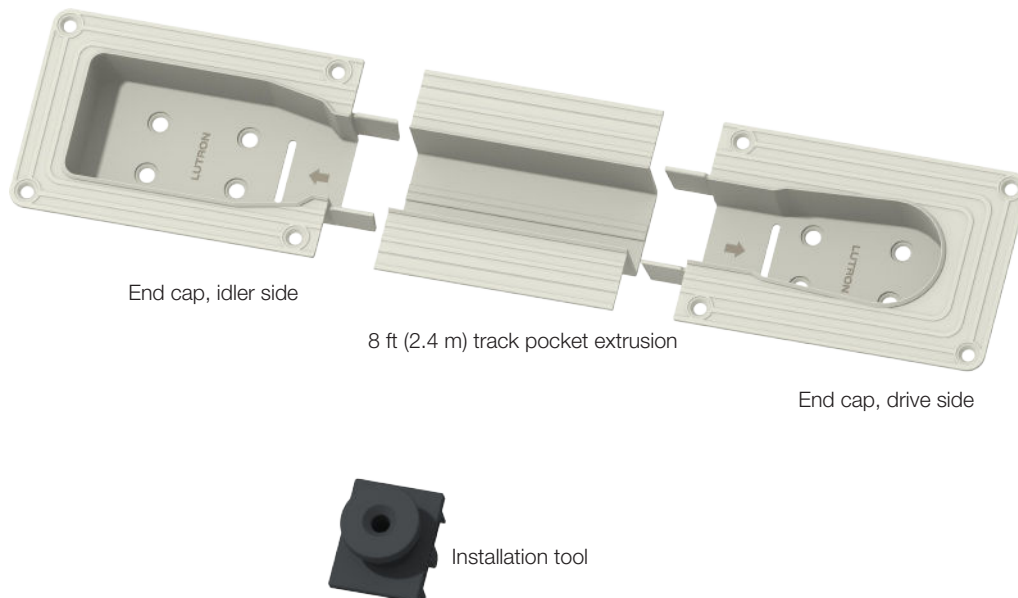
Recessed System for Lutron Drapery

Overview

The recessed system for Lutron drapery is mudded-in and seamlessly integrates with the ceiling for a crisp, minimalist finish. This document provides additional information on specifying and ordering the recessed system in various applications.

Features

- Mud-in flanges along the recessed system to be integrated flush with the ceiling
- EDU and idler end caps are designed to fit the drapery track with a minimal 1/16 in (1.6 mm) reveal along the track
- Recessed pocket, 8 ft (2.4 m) in length, can be cut to size in the field
- Tape measure slots on the end caps ensure precise measurement for an accurate track fit within the recessed pocket
- Installation tool ensures the track is centered within the recessed system and protect the track paint during track installation

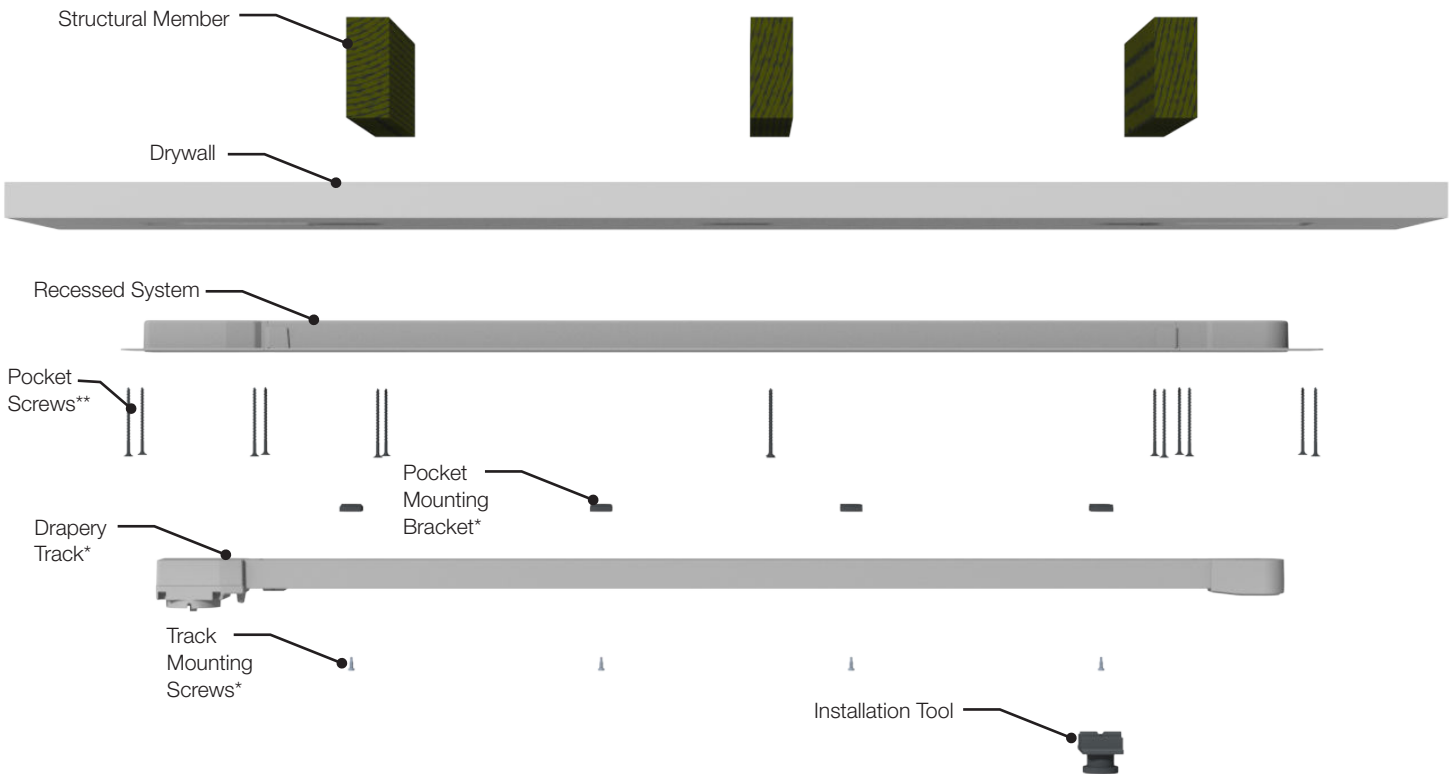


Model Numbers

The parts required for this installation method can be ordered from Lutron separately from the drapery track.

Model Number	Description
WIN-DREC-TRIM-WH	Recessed drapery pocket extrusion 8 ft (2.4 m), White
WIN-DREC-TOOL	Recessed drapery installation tool
WIN-DREC-ENDS	EDU and idler end caps kit
WSL-DREC-TRIM	Sample recessed drapery pocket extrusion 3 in (76.2 mm)
WSL-DREC-I	Sample recessed drapery idler end cap
WSL-DREC-D	Sample recessed drapery drive EDU end cap
WIN-DRBMS-10-RPL	Track mounting screws for recessed system, 10 pack

Exploded View of Finished Solution

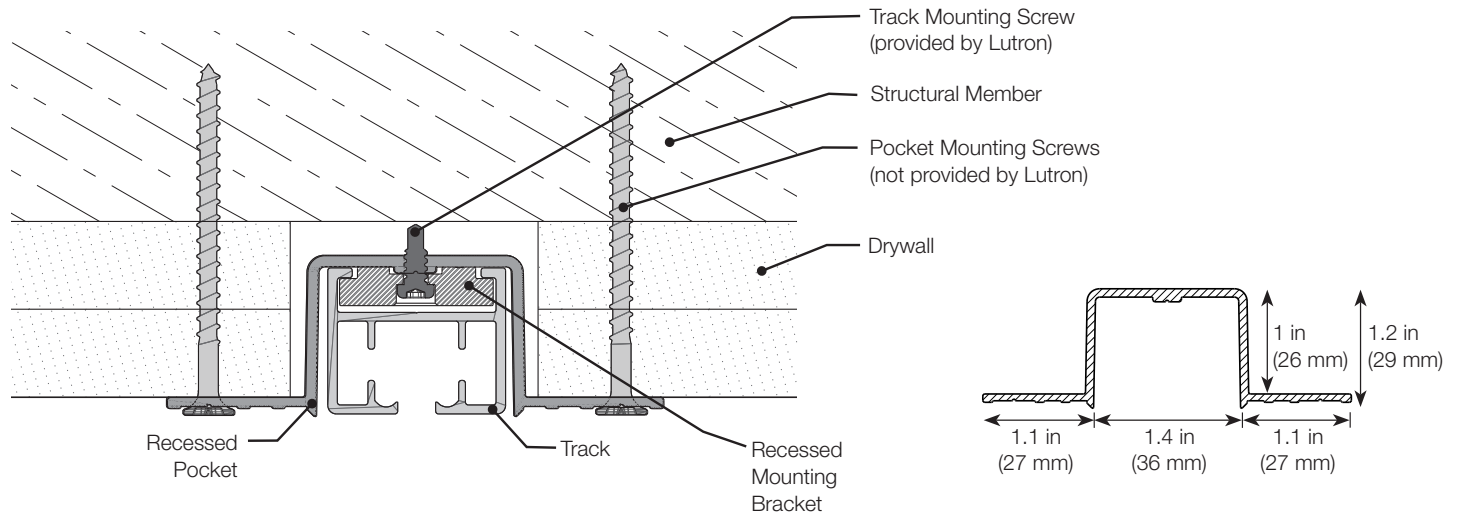


* Shipped with drapery track.

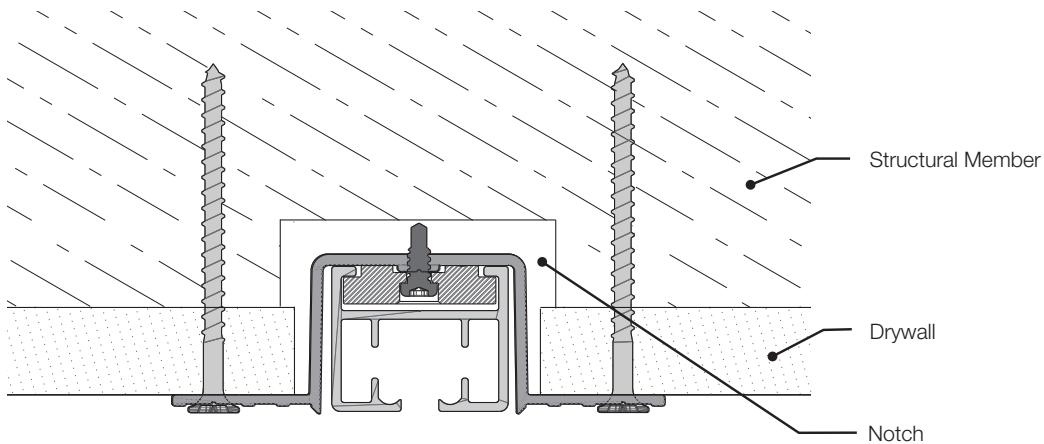
** Pocket screws are not sold by Lutron. It is the responsibility of the installer to choose and install fasteners that are appropriate to support the weight of the system.

Cross-Section View of Finished Solution

Mounting with recessed pocket



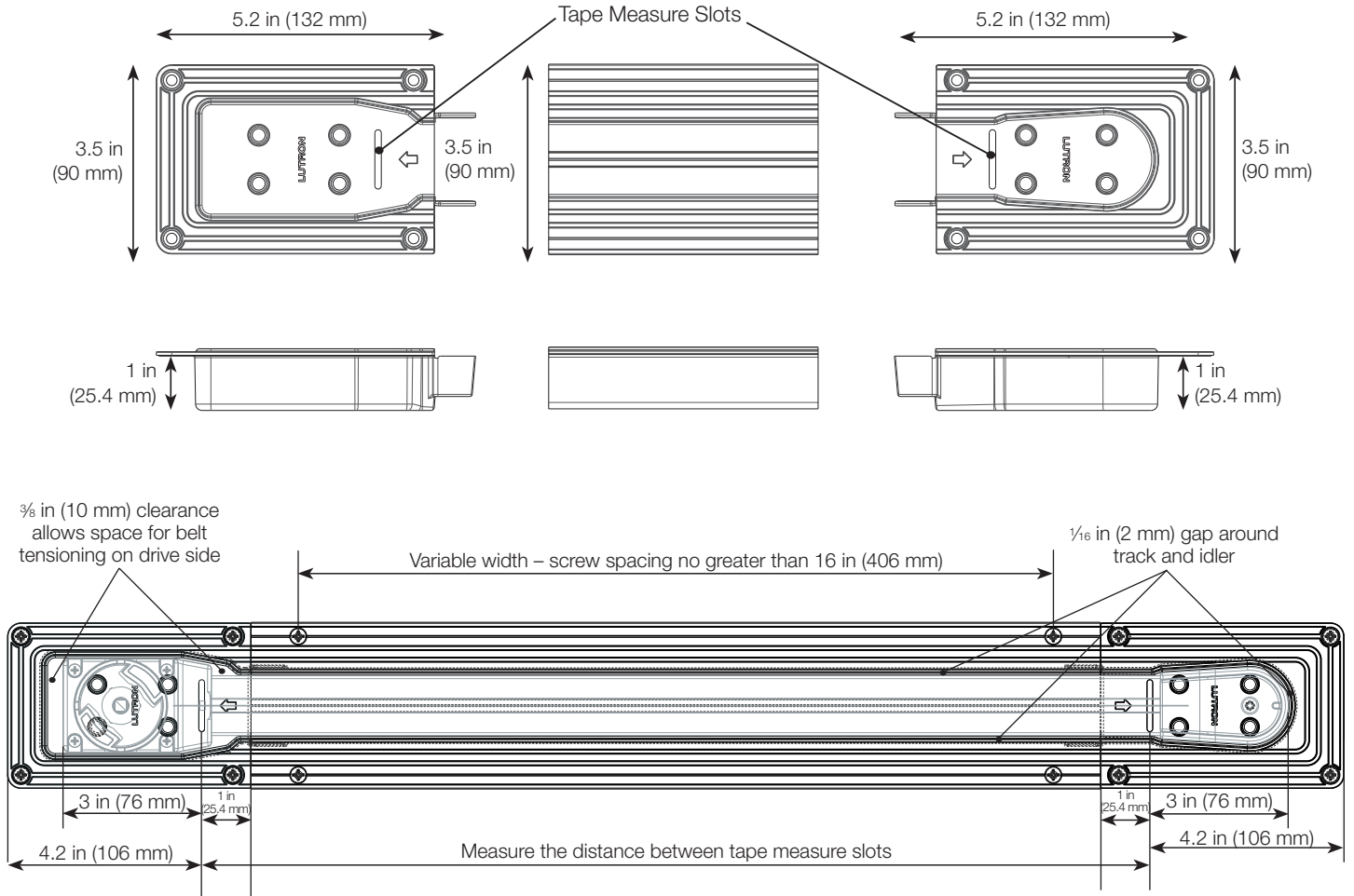
Cross-Section View of Alternate Finished Solution



Important Note:

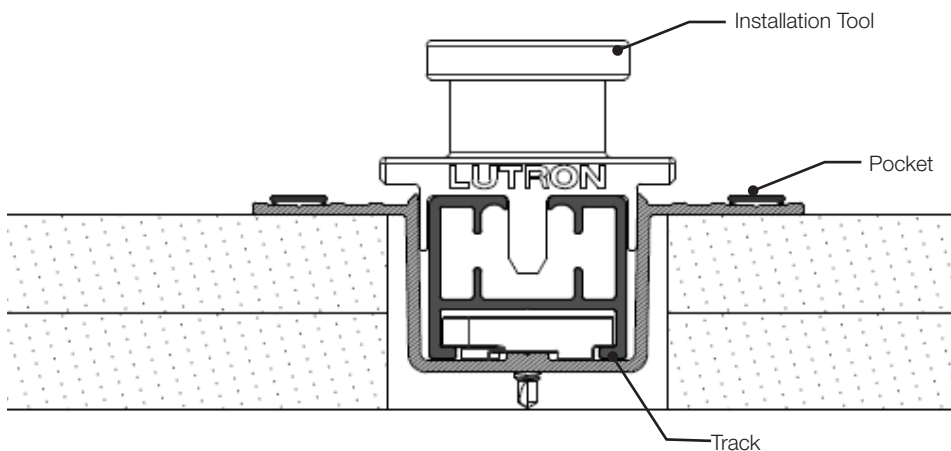
It is the installer's responsibility to ensure all modification is in compliance with local building codes and structural requirements.

Detailed Views

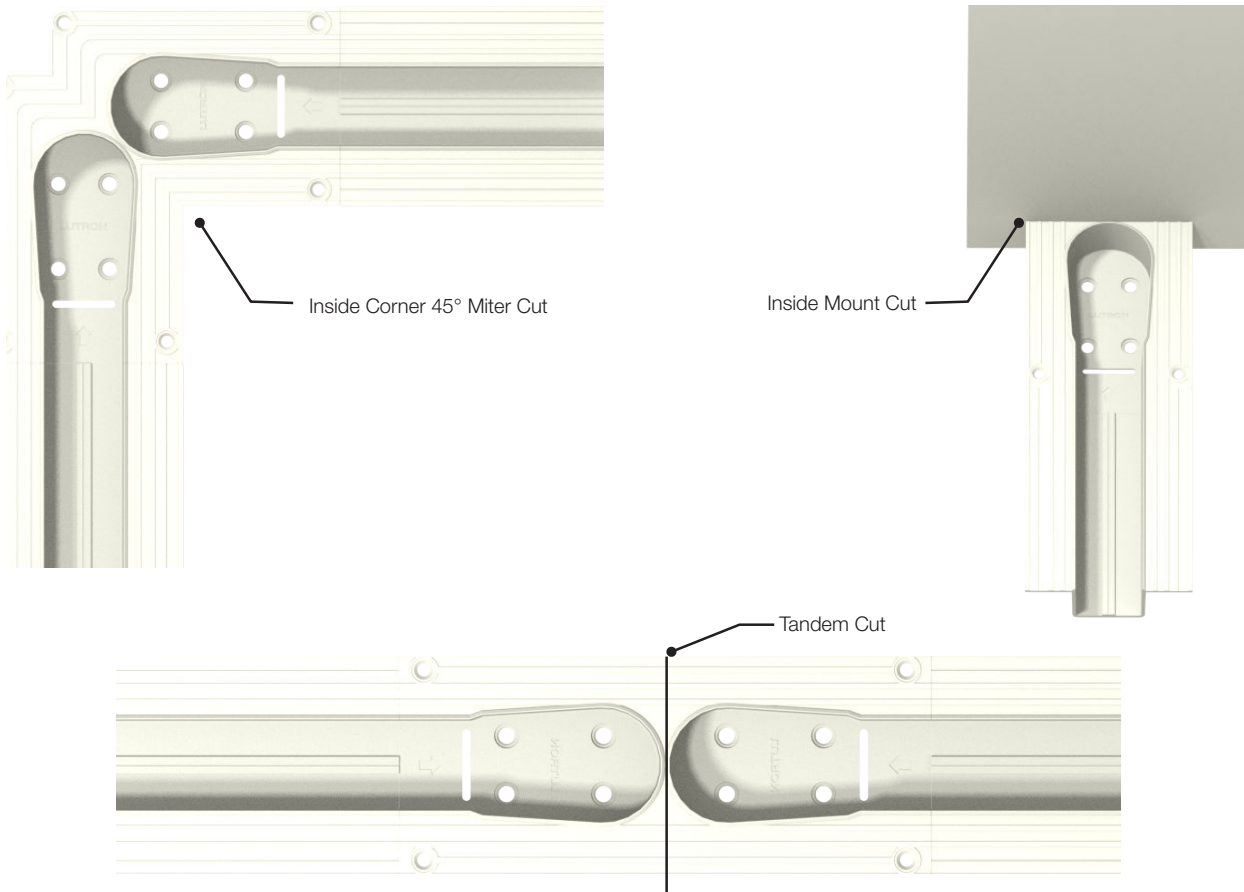


Installation Tool

When mounting the track, use the recessed drapery installation tool (model number WIN-DREC-TOOL) to center the track within the recessed mounting pocket. This ensures even gaps.



Inside Corner, Tandem, and Inside Mount Installations



The Lutron logo and Lutron are trademarks or registered trademarks of Lutron Electronics Co., Inc. in the US and/or other countries.

Lutron Contact Numbers

WORLD HEADQUARTERS

USA
Lutron Electronics Co., Inc.
7200 Suter Road
Coopersburg, PA 18036-1299
 TEL: +1.610.282.3800
 FAX: +1.610.282.1243
 support@lutron.com
 www.lutron.com/support

North & South America

Customer Assistance
USA, Canada, Caribbean:
 1.844.LUTRON1 (1.844.588.7661)
Mexico:
 +1.888.235.2910
Central/South America:
 +1.610.282.6701

UK AND EUROPE:

Lutron EA Limited
51 Lime Street, 3rd floor
London EC3M 7DQ
England
 TEL: +44.(0)20.7702.0657
 FAX: +44.(0)20.7480.6899
 FREEPHONE (UK): 0800.282.107
 Technical Support: +44.(0)20.7680.4481
 lutronlondon@lutron.com

ASIA:

Lutron GL Ltd.
390 Havelock Road
#07-04 King's Centre
Singapore 169662
 TEL: +65.6220.4666
 FAX: +65.6220.4333
 Technical Support: 800.120.4491
 lutronsea@lutron.com

Asia Technical Hotlines

Northern China: 10.800.712.1536
 Southern China: 10.800.120.1536
 Hong Kong: 800.901.849
 Indonesia: 001.803.011.3994
 Japan: +81.3.5575.8411
 Macau: 0800.401
 Taiwan: 00.801.137.737
 Thailand: 001.800.120.665853
 Other Countries: +65.6220.4666