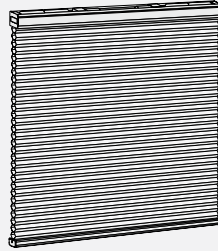


Residence: _____ Room: _____ Window(s): _____

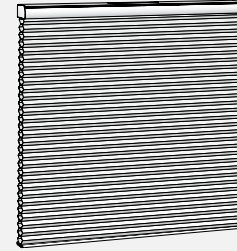
Step 1 Select Shade Style

Honeycomb

Standard

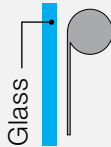


Architectural

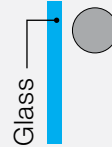


Roller

Regular roll
fabric closest to the glass
(standard)

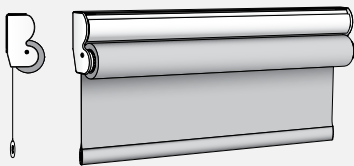


Reverse roll*
fabric farthest from the glass
(recommended to clear door or
window hardware)

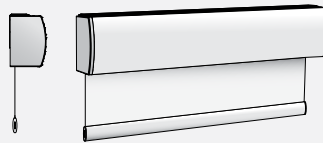


* Not available
with fascia

Headrail without fascia
(battery-powered, regular roll shown)



Fabric-wrapped fascia
(available in regular roll only)

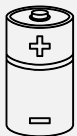


Architectural fascia
(available in regular roll only)

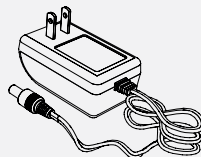


Step 2 Select Power

Battery-powered



Plug-in



Power panel



Manual shade



Please note: Product options may vary depending on application and intended use. For more technical information, reference www.lutron.com or work with your qualified Lutron provider. Product availability is subject to change.

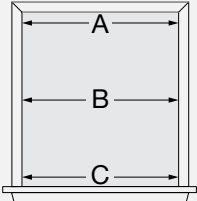
Step 3 Select Control

| | | | |
|--|--|---|---|
| <input type="checkbox"/> Pico remote (standalone) | <input type="checkbox"/> Caséta system | <input type="checkbox"/> RadioRA 3 system | <input type="checkbox"/> HomeWorks system |
|--|--|---|---|

Step 4 Select Shade Mount and Measurements (choose one)

Inside Mount
Enter window measurements below. If full-recess is desired, check the projection dimension of your shade type.

Width*:



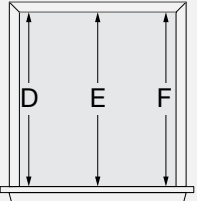
A _____ in/mm

B _____ in/mm

C _____ in/mm

Smallest width: _____ in/mm

Height:



D _____ in/mm

E _____ in/mm

F _____ in/mm

Smallest height: _____ in/mm

Outside Mount
Enter width and height below.

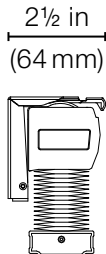

On Trim Above Trim** (includes spacers to clear trim up to 1/2 in (13 mm) thick)


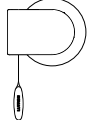
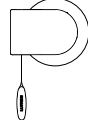
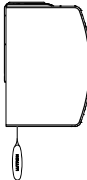
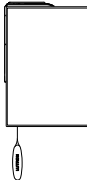
Width*: Enter the width of the area you want the fabric to cover _____ in/mm

Height: Enter the distance from the top of the headrail to the window sill _____ in/mm

* When mounting above trim, the top of the headrail must be at least 3 1/8 in (80 mm) (Standard and Architectural honeycomb), or 4 1/2 in (114 mm) (roller) above the top edge of the window trim.

** Maximum width for a Standard or Architectural honeycomb shade is 96 in (2,438 mm). Maximum width for a roller shade is 108 in (2,743 mm) and WIDR roller shade is 144 in (3,657 mm).

| Honeycomb shade projection: full-recess depth for inside mount | |
|--|---|
| <p>Battery powered Tap 'n' Tilt brackets</p> <div style="text-align: center;">  <p>2 1/2 in (64 mm)</p> </div> | <p>Manual shade Stationary brackets</p> <div style="text-align: center;">  <p>2 in (51 mm)</p> </div> |

| Roller shade projection: full-recess depth for inside mount | | | | |
|---|---|---|---|---|
| Without Fascia* | | | Fabric-Wrapped Fascia | Architectural Fascia |
| battery powered | wired power | cordless manual | | |
| 3 in (76mm)  | 3 in (76mm)  | 3 in (76mm)  | 3 ³ / ₈ in (86mm)  | 3 ³ / ₈ in (86mm)  |

* Without fascia, the projection varies with the size of the fabric roll-up (fabric panel height). The dimension shown is based on the largest available fabric panel height; the maximum projection.

Step 5 Select Fabric

Utilize your fabric binders or visit www.lutron.com/fabrics

Fabric P/N: _____

Optional Enhancements for Honeycomb Shade

Back Cover for Standard Honeycomb Shade

A cover on the back of the headrail eliminates any light that may come through the mounting area (typically used only on room-darkening inside-mount applications).



Cable-Guided (outside mount only)

Select this if you are mounting a shade to a door.

Choose anchor and matching hardware color:



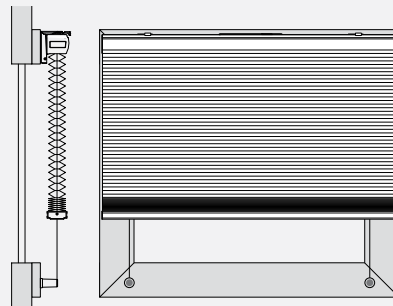
Snow



Biscuit



Sienna



For more information, please visit www.lutron.com or call **1.800.446.1503**

The Lutron logo, Lutron, Caséta, HomeWorks, Pico, RadioRA 3, and Triathlon are trademarks or registered trademarks of Lutron Electronics Co., Inc., in the U.S. and other countries.

www.lutron.com

World Headquarters: 1.610.282.3800 | 24/7 Technical Support: 1.800.523.9466 | Customer Service: 1.888.LUTRON1 (1.888.588.7661)

© 12/2023 Lutron Electronics Co., Inc. | P/N 368-4408 REV C